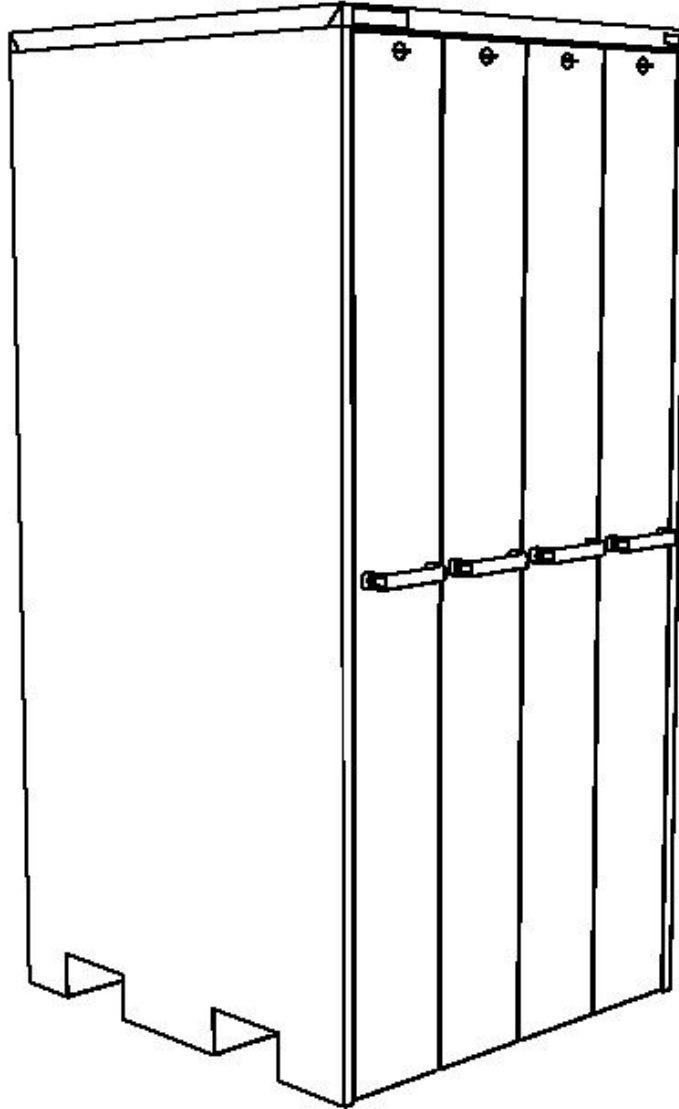


# PROPER USE AND INSTALLATION FOR CHAMPION VSC SERIES CABINETS

---

The following instructions will provide you with a guide for installation and usage for the VSC Series cabinets. If at any time you need guidance or help, please do not hesitate to call us. Thanks again for choosing Champion Tool Storage.



## QUESTIONS

### Champion Tool Storage

3070 Lower Mill Dr.

Hood River Oregon 97031

W: [www.championbuilt.com](http://www.championbuilt.com)

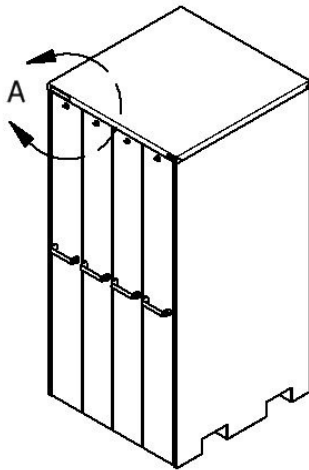
E-mail: [info@championbuilt.com](mailto:info@championbuilt.com)

**Phone: 866-391-4200**

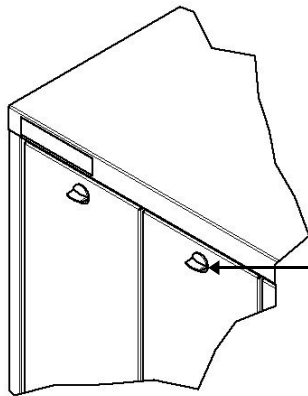
**8 AM - 5PM, PST, Monday-Friday**

# Installation

1.



Use forklift or pallet jack to move and set cabinet in place. Check to make sure the thumb turn latches (See Detail A) are in the locked position before moving unit. Cabinet must be locked while moving. Only move the cabinet using the fork pockets shown. Moving any other way may cause damage or injury.

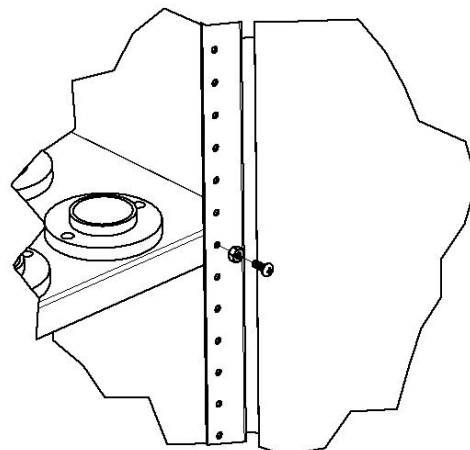
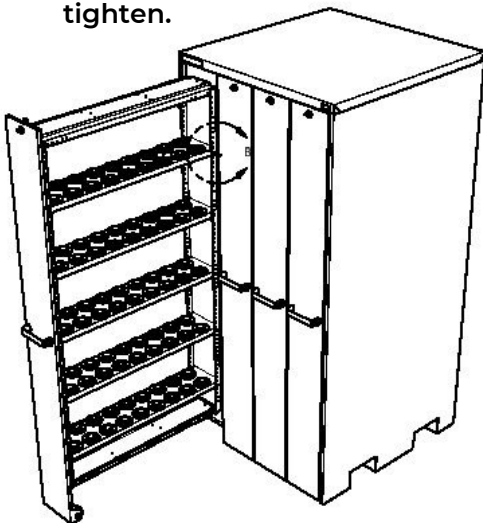


Thumb Turn Latch

DETAIL A

2. Adjusting Tool Holder and Standard Shelving Height.

Remove all tooling in shelf. Remove the (4) 10-24 screws and nuts (See Detail B) from each corner of the shelf. Move shelf to desired height. Install the (4) 10-24 screws and nuts and tighten.



DETAIL B

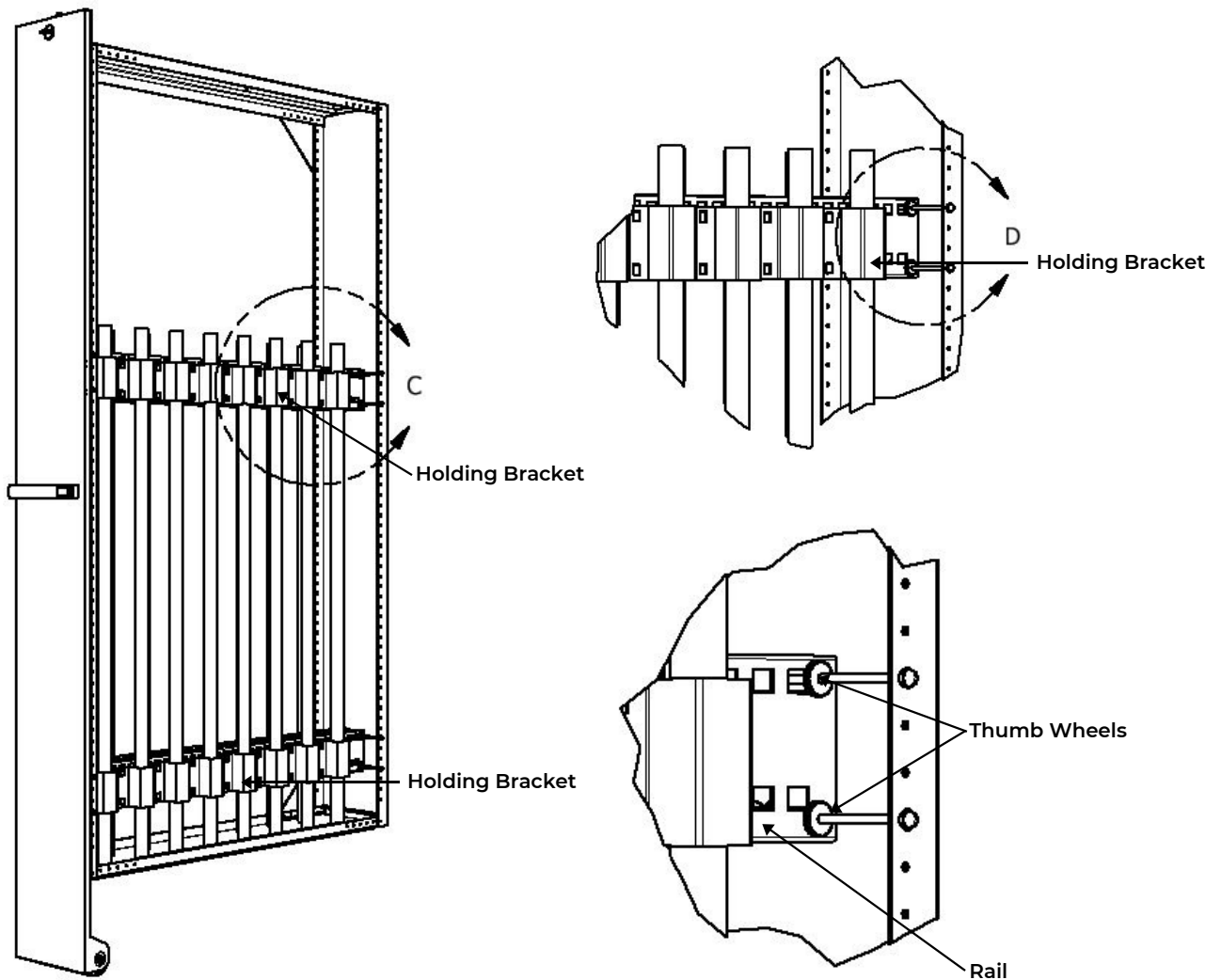
## Installation

**3.** Add or removing tool holder or standard shelves. See step 2.

**4.** Adjusting for Broach Tooling.

Your cabinet will deliver ready to be used. You will need to work with your sales associate to get the correct layout for the broaches you wish to store as there are many options. To insert a broach, remove the Holding Bracket(see Detail C) from the rail by lifting the bracket upwards. This may require a soft tap with a mallet. While the broach tool is being held in place, insert the Holding Bracket into the square knockouts in the rail and push in the downward position. Repeat process for the remaining rail.

To adjust the broach rail in or out, adjust the thumbwheels to move the rails(broaches must not be in cabinet).



## Installation

### 5. Adjusting the drawer face left to right.

If you need to adjust the drawer face left or right, turn the screw in the drawers slide underneath the drawer unit, see Fig 1 using the supplied wrench. To adjust the drawer height, use the screw underneath the drawer, see Fig. 1.



Use this screw to adjust  
drawer left to right

Use this screw to adjust  
drawer up or down.

Supplied Wrench

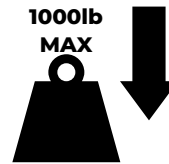
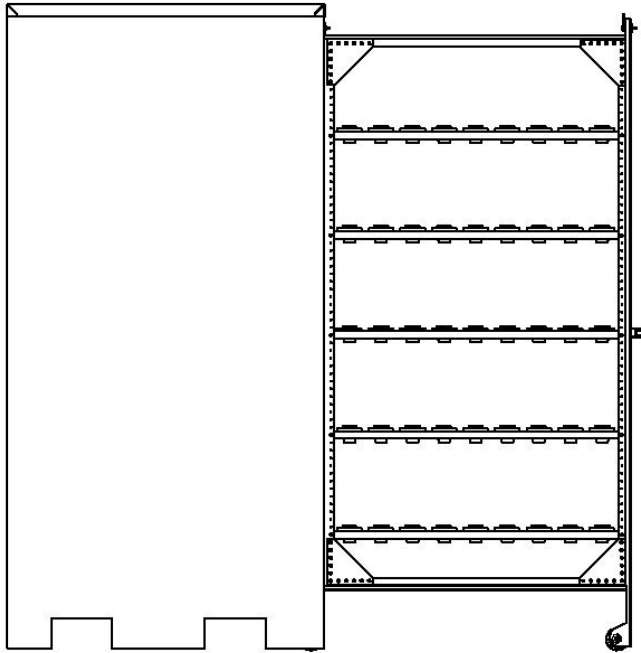


Fig. 1

## Proper Use



Do not open more than one drawer at a time.



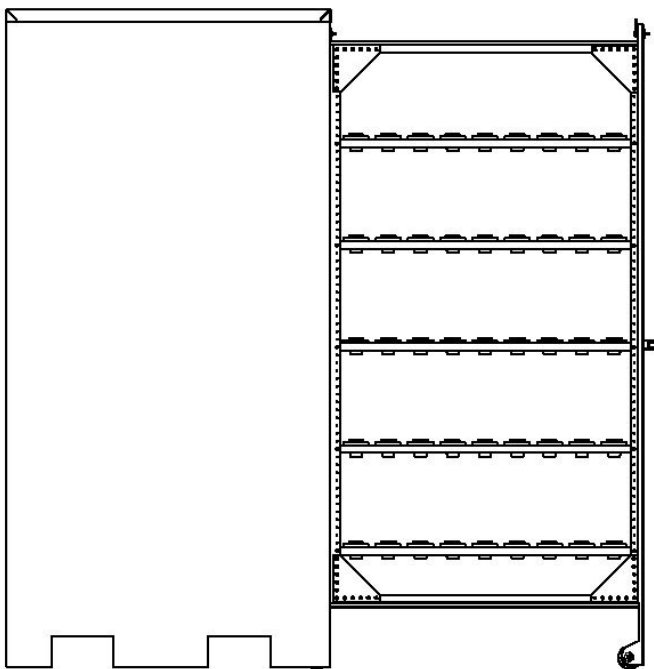
1000lb Max load per drawer, evenly distributed



Do not drop items into drawers, damage may occur.



Do not use shelves as a step, or seat, injury or damage may occur.



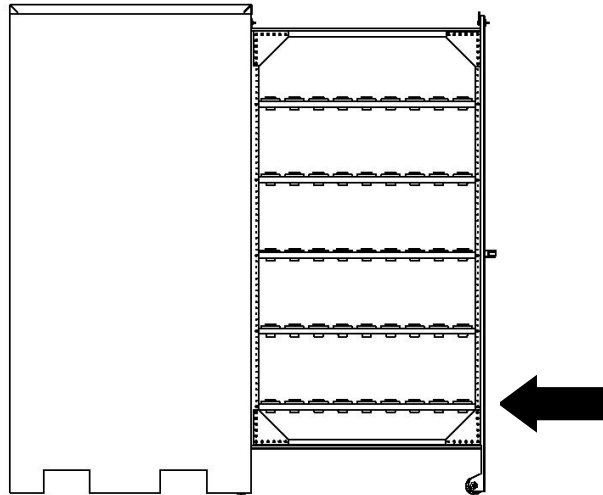
## How to Load

### STEP 1.

- Start by loading the bottom shelf first.
- Load the shelf from the back to the front.

### STEP 2.

- Load the second lowest shelf in the same manner as the first.
- Repeat until shelves are filled.



## Proper Care

- Periodically clean the drawer fronts and other surfaces with a mild detergent and water.
- Auto wax preserves the storage unit's finish and protects against scratches. Apply the wax as you would on a car.

## Safety Information

- Secure the product before use.
- Do not tow the product with power equipment.
- Do not alter this product in any manner. Doing so will void the warranty.
- When locking unit, make sure all drawers or doors are in the fully closed position in order for the locking system to work properly.



Do not attach or mount this product to a vehicle. This may cause personal injury or product damage. Mounting this product to a vehicle in any manner will void the warranty.



Do not stand or sit on this product. Doing so may cause personal injury..



Do not use drawers as steps or sit in drawer on this product. Doing so may cause personal injury..



This product must be on a level surface at all times. If stored or moved on an unlevel surface, personal injury or product damage may occur. If product is moved, lock all drawer before moving.

## Warranty

Champion Tool Storage warrants only to the original purchaser that our Tool Storage products are free from defects in materials and workmanship for so long as the original purchaser retains ownership, possession and control of the product. Our Warranty only applies to Champion Tool Storage manufactured Professional Series, Modular Series, Flight line Series, and Military. Our warranty excludes damage caused by misuse, abuse, modifications to the unit, or the user not conforming to the recommended capacities as stated on our website or catalog. All hardware including drawer slides, hinges, and locks are warranted for one year from delivery date of the original invoice. If buyer claims that a product violates such warranty, Champion, upon notice promptly given, will either issue an RMA and shipping instructions for return to Champion at buyer's expense or provide transportation charges prepaid. Champion's sole obligation under its warranty shall be, at its option, to repair, replace or refund the price of any product thereof which is proved to violate such warranty. In no event shall Champion be liable to the buyer for special, indirect, incidental or consequential damages whatsoever including, without limitation, loss of profit or revenue. Title and risk of loss have passed to the original purchaser upon delivery to a common carrier. If any product is damaged in transit, the original purchaser must file a claim with the carrier, which claim is not a warranty claim. If you have any questions regarding your warranty please contact our sales department at 1-866-391-4200.